

Counter-Shutter[™] Features

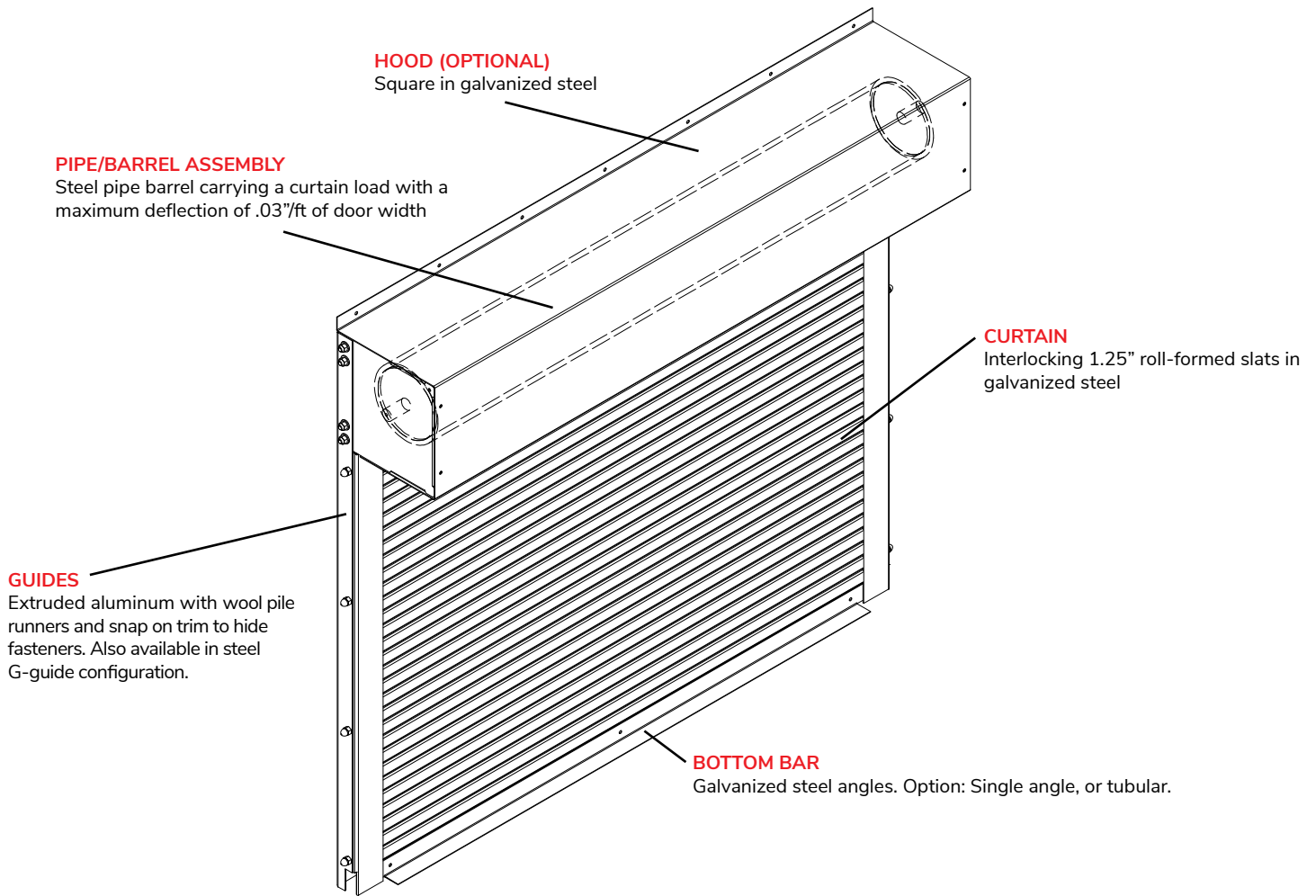
- **1.25" baby flat slats offer a trim and attractive look**
- **Compact design allows for easy operation**
- **Coils upward, requiring little side or head room**



Alpine's rolling Counter Shutter[™] rolling shutters provide security for school cafeterias, healthcare facilities, pharmacies, mall kiosks, parts counters, will call windows, bank counters, hospitals and airport concession windows among many other applications.

Functional Benefits

- Built to the exact opening size requirements for your specific project
- Manual push up, hand crank, hand chain or motor operated. All operators can be adapted to specific conditions.
- Highly durable and designed to withstand heavy commercial use
- Provides protection while enhancing the look of the opening
- Can be installed on the interior, exterior, face of wall or between jambs
- When the shutter is rolled up the curtain is fully stored in an overhead coil and is totally supported by the side guides.
- Little to no maintenance required



Operational Requirements

- Manual push up, hand crank, hand chain or motor operated. All operators can be adapted to specific conditions.

Optional Materials and Finishes

- Galvanized, Stainless Steel or Pre-Painted
- Exo-Shield™ LCF powder coating
- Guides available in extruded aluminum or galvanized steel

Product Selection Guide

More Economical



Counter-Shutter™

Better Performance

